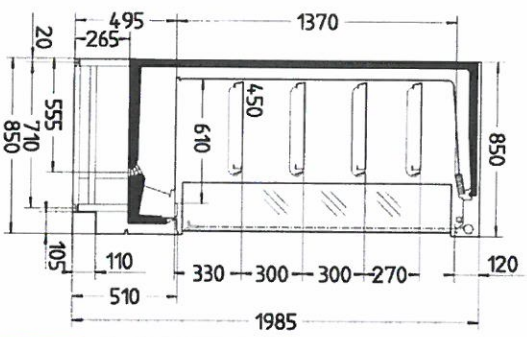


Examples of different applications



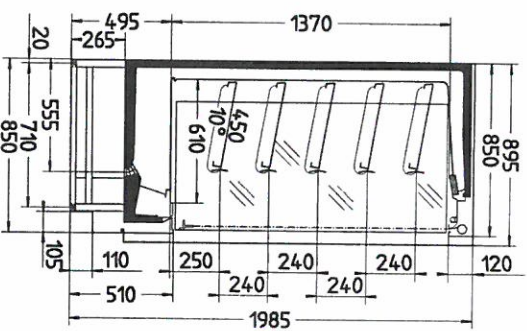
Examples of different applications

Standard

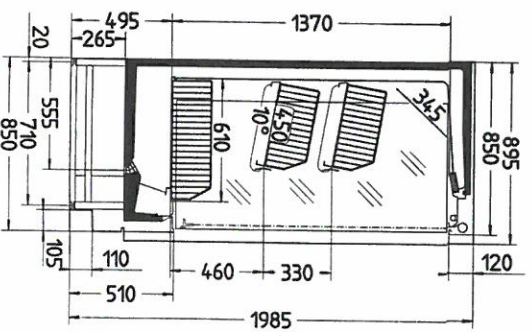


Standard cabinet with part-glazed endwalls

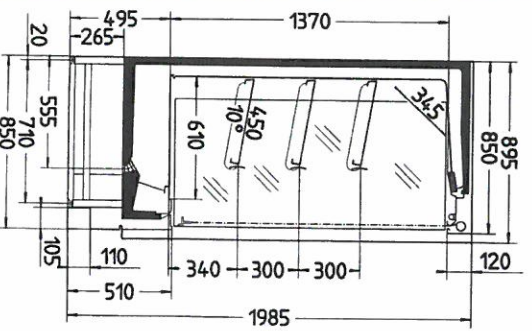
Sandwiches



Fruits & vegetable



Self-service meat



OPTIMER

R404A
REMOTE

LED

Model	Refrigerant	Temperature range (°C)	Volume (ltr.)	Net weight (kg)	Dimensions (mm) Width Depth Height	Capacity (pcs) 0.33 l Can 0.5 l PET bottle	Crated Dimensions (mm) Width Depth Height	Crated Weight (kg)	Transport Truck (13.6) 40' Cont.	Application			
0946	R404A	+2...+4	485	222	885	n/a	n/a	242					
1046		+2...+4	549	232	990	672	1120	252	24	20			
1036		+4...+6		225				364	245				
1346		+2...+4	707	245	1250	952	1380	270	19	16			
1336		+4...+6	235	235				260					
1946	+2...+4	1088	368	1875	1985	1456	2000	405	13	12			
1936	+4...+6							363	728	393			
2546	+2...+4							498	1267	533			
2536	+4...+6	1418	485	2500	2248	2630	520	10	8				

Multidecks